

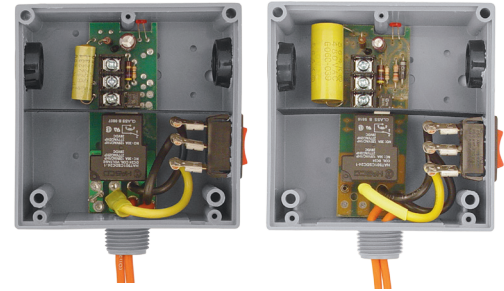
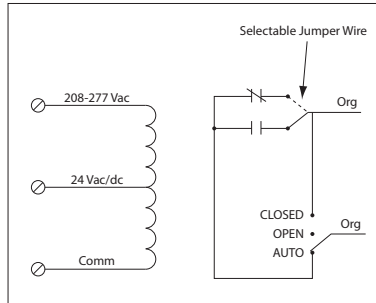
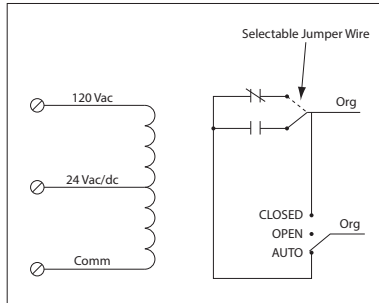
**20 AMP POWER CONTROL RELAYS**

**RIBT2401SB**

Enclosed Relay Hi/Low Separation 20 Amp  
SPST + Override with 24 Vac/dc/120 Vac Coil

**RIBT2402SB**

Enclosed Relay Hi/Low Separation 20 Amp SPST  
+ Override with 24 Vac/dc/208-277 Vac Coil



RELAYS

**SPECIFICATIONS**

- # Relays & Contact Type: One (1) SPST Continuous Duty Coil
- Expected Relay Life: 10 million cycles minimum mechanical
- Operating Temperature: -30 to 140° F
- Humidity Range: 5 to 95% (noncondensing)
- Operate Time: 18ms
- Relay Status: LED On = Activated
- Dimensions: 4.00" x 4.00" x 1.80" with .50" NPT Nipple
- Wires: 16", 600V Rated
- Approvals: UL Listed, UL916, UL864, C-UL California State Fire Marshal
- Housing Rating: UL Accepted for Use in Plenum, NEMA 1
- Gold Flash: No
- Override Switch: Yes

- Contact Ratings:**
- 20 Amp Resistive @ 277 Vac
- 20 Amp Ballast @ 277 Vac (N/O)
- 10 Amp Ballast @ 277 Vac (N/C)
- Not rated for Electronic Ballast*
- 10 Amp Tungsten @ 120 Vac (N/O)
- 1110 VA Pilot Duty @ 277 Vac
- 770 VA Pilot Duty @ 120 Vac
- 2 HP @ 277 Vac
- 1 HP @ 120 Vac
- Coil Voltage Input:**
- 24 Vac/dc ; 120 Vac ; 50-60 Hz (RIBT2401SB)
- 24 Vac/dc ; 208-277 Vac ; 50-60 Hz (RIBT2402SB)
- Drop Out = 2.1 Vac / 3.8 Vdc
- Pull In = 18 Vac / 22 Vdc

- Coil Current:**
- 50 mA @ 18 Vac
- 83 mA @ 24 Vac
- 47 mA @ 120 Vac (RIBT2401SB)
- 69 mA @ 208-277 Vac (RIBT2402SB)
- 33 mA @ 22 Vdc
- 35 mA @ 24 Vdc
- 47 mA @ 30 Vdc
- Notes:**
- Normally Open or Normally Closed selected by yellow jumper wire